



6W (1/124 HP)

TORQUE MOTORS Frame size 70mm sq. (2.76 in. sq.)

Single-Phase

LEAD WIRE TYPE

SPECIFICATIONS

INSULATION CLASS A or E, 4POLES

Model	Rating At Locked Rotor	Voltage (V)	Frequency (Hz)	Maximum Output (W)	At Maximum Output				Starting Torque			Capacitor (μF)	
					Current (A)	Torque (kg-cm, N-m, oz-in)			Speed (rpm)	(kg-cm)	(N-m)		(oz-in)
L7T6□C	5 MIN. CONT.	1 Ø100	50	6.3	0.45	0.82	0.080	11.39	750	1.37	0.134	19.03	9
	1 Ø60	2.8		0.34	0.37	0.036	5.14	0.69		0.068	9.58		
L7T6□B	5 MIN. CONT.	1 Ø100	60	7	0.45	0.76	0.074	10.55	900	1.37	0.134	19.03	7
	1 Ø60	2.8		0.34	0.31	0.030	4.30	0.69		0.068	9.58		
L7T6□E	5 MIN. CONT.	1 Ø220	60	7	0.23	0.76	0.074	10.55	900	1.37	0.134	19.03	1.5
	1 Ø140	2.8		0.17	0.31	0.030	4.30	0.69		0.068	9.58		
L7T6□X	5 MIN. CONT.	1 Ø115	60	8.8	0.49	0.96	0.094	13.33	900	1.7	0.167	23.61	7
	1 Ø60	2.8		0.35	0.31	0.030	4.30	0.69		0.068	9.58		
L7T6□X	5 MIN. CONT.	1 Ø220	50	6.3	0.23	0.82	0.080	11.39	750	1.37	0.134	19.03	2
	1 Ø140	2.8		0.17	0.37	0.036	5.14	0.69		0.068	9.58		

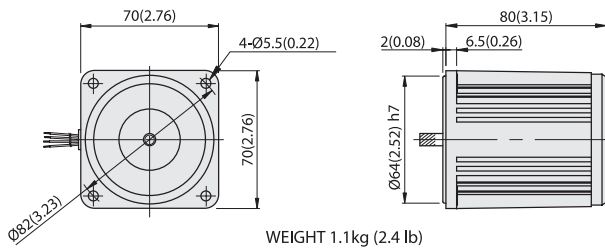
- * Model in grey screen represents the motors with THERMALLY PROTECTED according to UL regulation.
- * Model in dark grey screen represents the motors with THERMALLY PROTECTED according to CE regulation.
- * Insulation class for motors which acquired certificates for export is B.

TORQUE MOTORS

DIMENSIONS

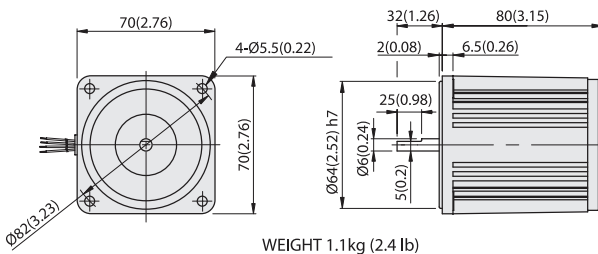
L7T6P□L

Unit : mm(inch)



WEIGHT 1.1kg (2.4 lb)

L7T6D□

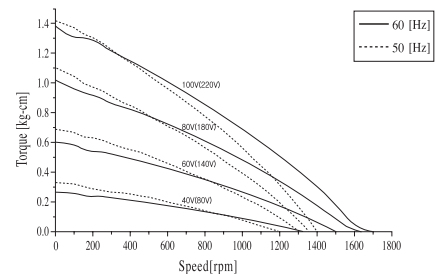


WEIGHT 1.1kg (2.4 lb)

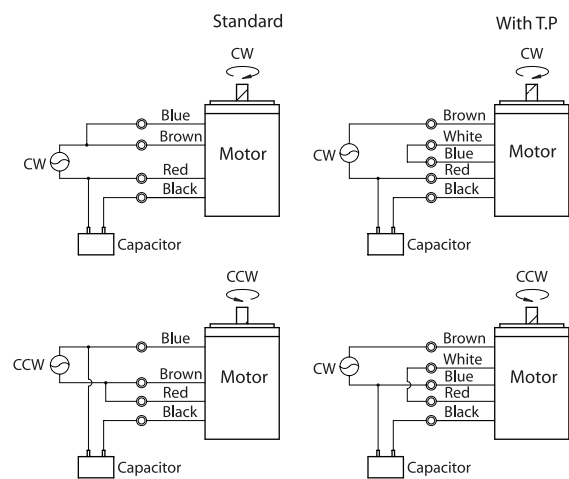


SPEED-TORQUE CURVE

Single phase L7T6□□LTB



CONNECTION DIAGRAMS



The direction of rotation is seen from the end of motor shaft.